

METALTECH ENGINEERING

GROUND SUPPORT EQUIPMENT

P.I.G Trolley – ARP-1



Dimensional & Weight Specifications

Length	475mm
Width	662mm
Height	1072mm
Webbing Length	25m Each side
Weight	42.5 Kgs

Material Specification

Base / Body & Reel Assemblies	DX51D galvanised steel sheeting with Z275 coating powder coated finish to RAL1018 (Other colours available on request)
Kick Plate	Aluminium Anti Skid Sheeting
Wheel & Reel Shafts	304 Stainless Steel Round Bar

Standard Features

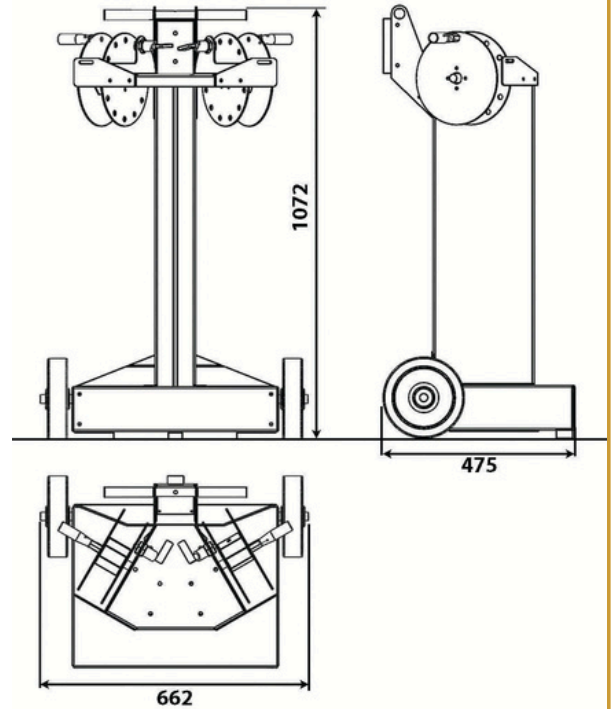
Wheels	2 X Solid Rubber Wheels
Webbing Reels	2 X 25mm wide X 25m long orange webbing reels with red plastic hooks (Other colours available on request)
Webbing Reel Assemblies	Plastic Handles to reel in hooks and barrel locks to lock into position
Base Protection	2 X Rubber Protection Pads on Base
Relective Labels	Reflective Labels Fitted To Body
Certification	Product designed & manufactured to EN1915-1 / EN1915-2 / EN1915-3
Country Of Origin	Ireland

METALTECH ENGINEERING

P.I.G Trolley – ARP-1



P.I.G. TROLLEY



MEASUREMENTS



EASILY MANOEUVRABLE



SHIPPED IN PAIRS

Metaltech Engineering
Fredrick Square, Sixmilebridge,
Co. Clare, Ireland.

Tel: 00353 (0) 61 369169
Email: info@metaltechengineering.ie
Web: www.metaltechengineering.ie

